

**PP1 PHASE REFERENCE SELECTION**

POSITION	STATUS	REFERENCE PHASE SHIFT
1,2,3	OPEN	0°
4,5,6	CLOSED	-30°
1,2,3	CLOSED	-30°
4,5,6	OPEN	-30°

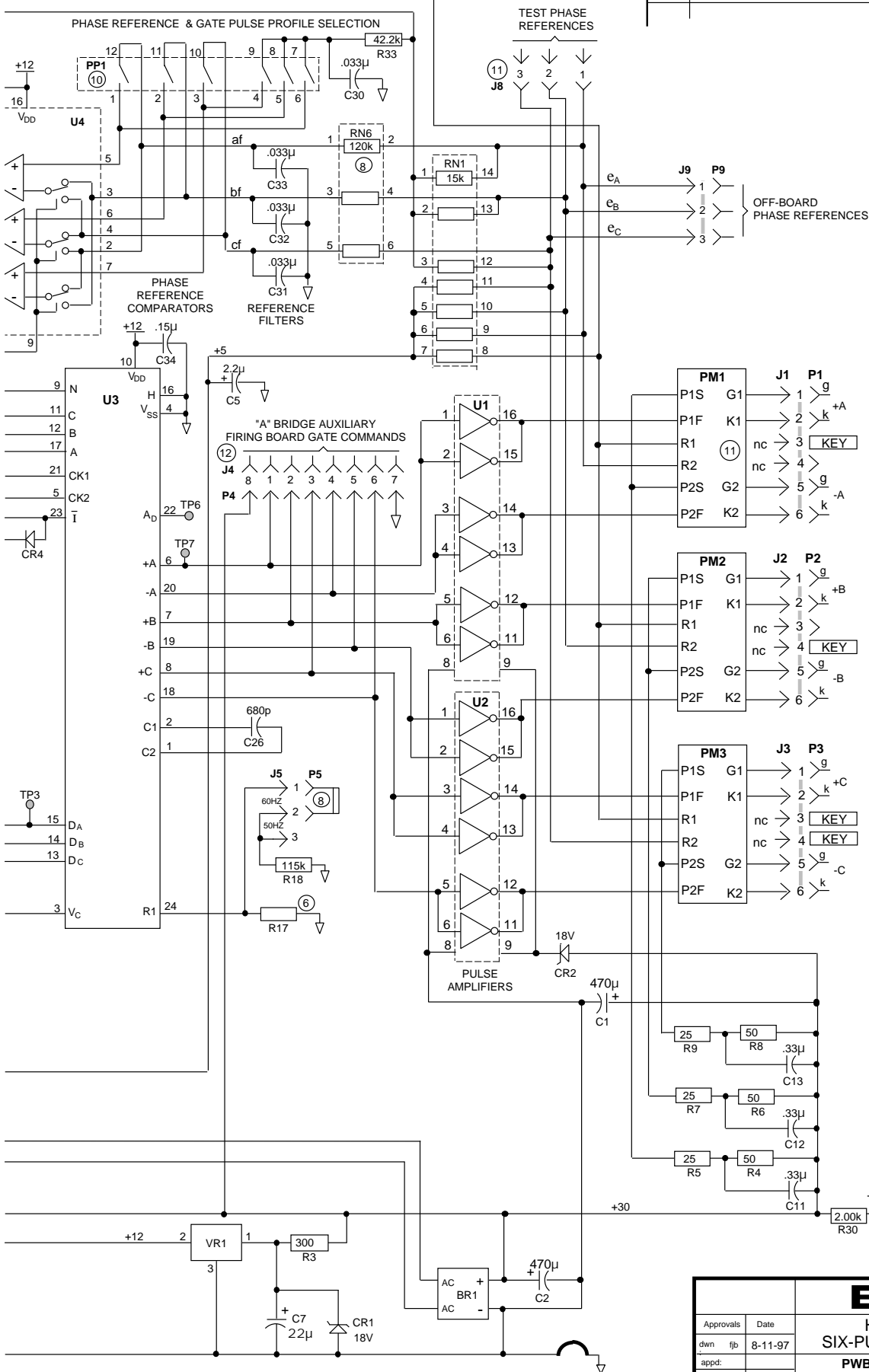
See Sheet 2 for additional notes

RESISTOR SELECTION	
R2	
R11	
R13	
R14	
R15	
R17	
R20	
R25	
R31	

SERIAL NOS.

REVISIONS

LTR	DESCRIPTION	DATE	APPD



<b>ENERPRO</b>	
HIGH VOLTAGE SIX-PULSE FIRING BOARD	
Approvals	Date
dwn fjb	8-11-97
appd:	PWB PN
ver.	FCOG61HV
	Dwg. No. <b>E1024-1</b>
Sheet 1 of 2	