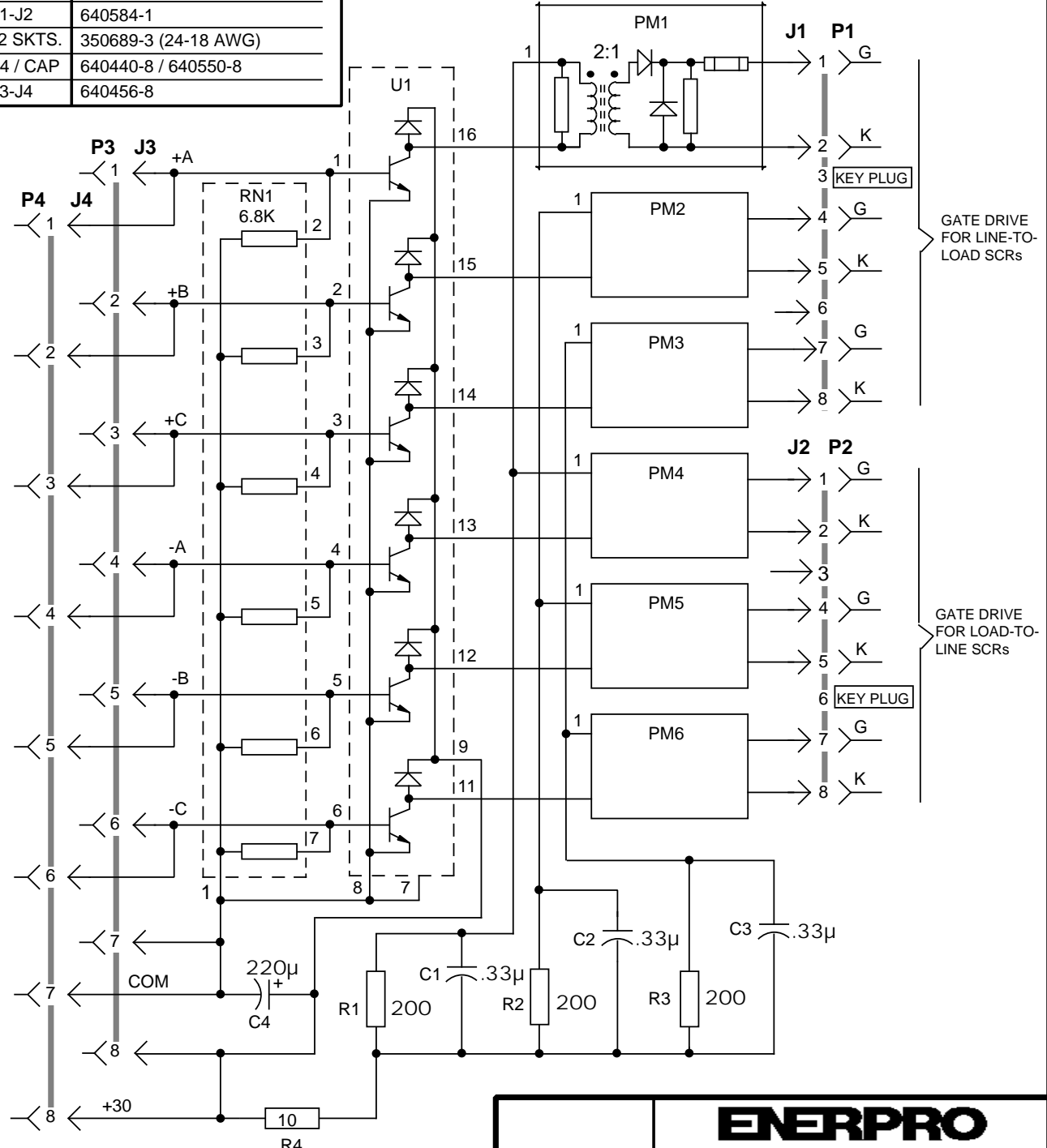


PART	DESCRIPTION
U1	ULN2004A
RN1	750-81-R6.8K
PM1-PM6 ①	EP1019A/EP1019B/EP1019C(')
R1-R3	200 5% CW5
R4 ①	10 5% CW2C
C1-C3	.33μF 100V 10% MKC4
C4	220μF 50V ECEA1HV221S
P1-P2	640582-1
J1-J2	640584-1
P1-P2 SKTS.	350689-3 (24-18 AWG)
P3-P4 / CAP	640440-8 / 640550-8
J3-J4	640456-8

REVISIONS			
LTR	DESCRIPTION	DATE	APPROVED
A	ADD J4	4-2-84	fjb
B	REPLACE PULSE XFMRs ETC. WITH PM1-PM6, ADD RN1, MODIFY J3 & J4.	6-22-84	fjb
C	MOVE J4 ON PWB	12-8-84	fjb
D	ADD R4	9-27-90	fjb
D'	Change R1-R3 value to 200	4-24-91	fjb
D''	Add EP1019C(') and change R4 to 10		



NOTES

- ① If PM1-PM6 = EP1019B: make R4 = 15
- If PM1-PM6 = EP1019A: make R4 = 5
- If PM1-PM6 = EP1019C: make R4 = 10

ENERPRO		AUXILIARY FIRING BOARD CIRCUIT DIAGRAM	
Approvals	Date	PART NUMBER FCOAU60	Dwg. No. E138
dwn: fjb	6-6-83		
redrw: cja	8-11-87		
chkd: yas	1-25-93		