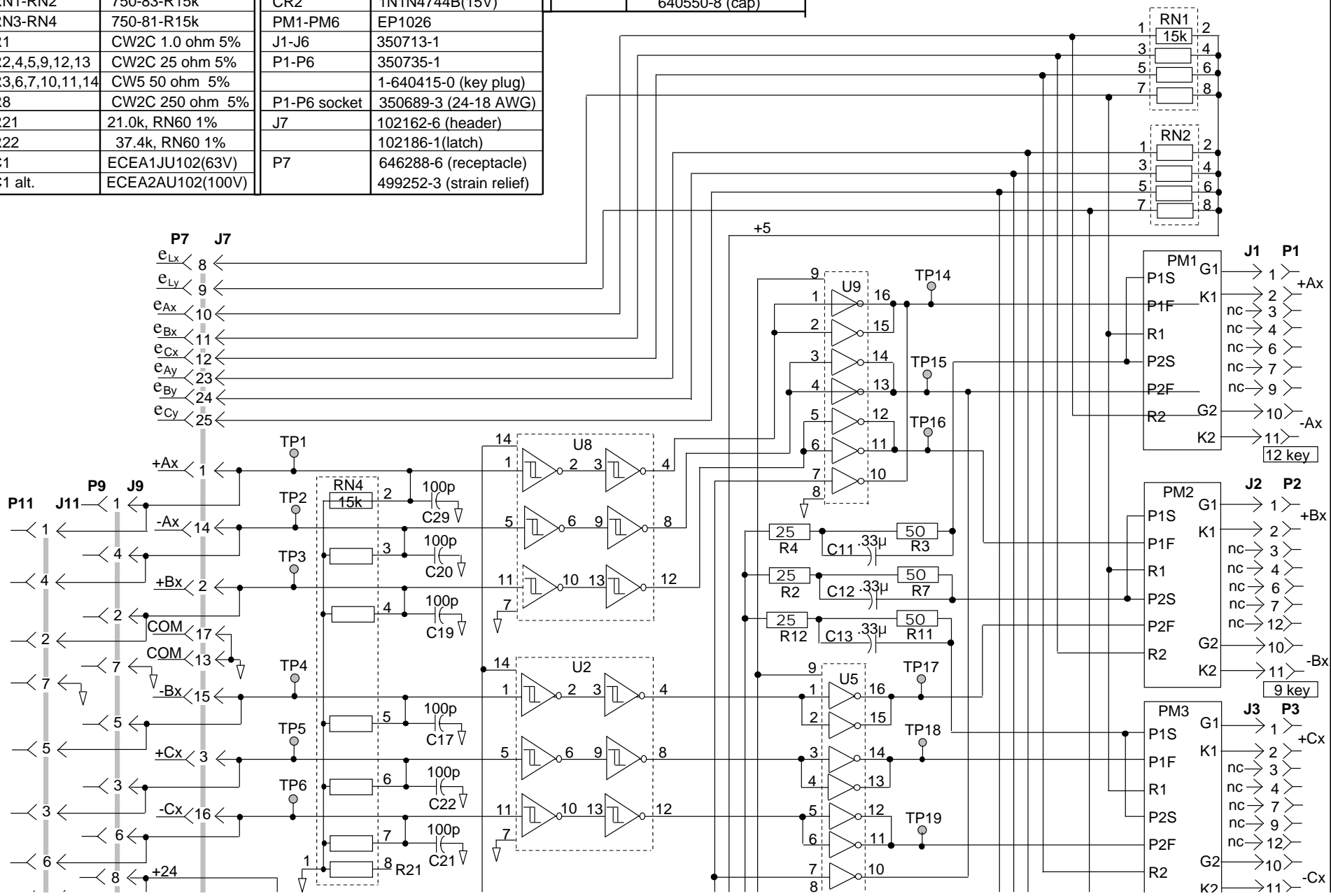


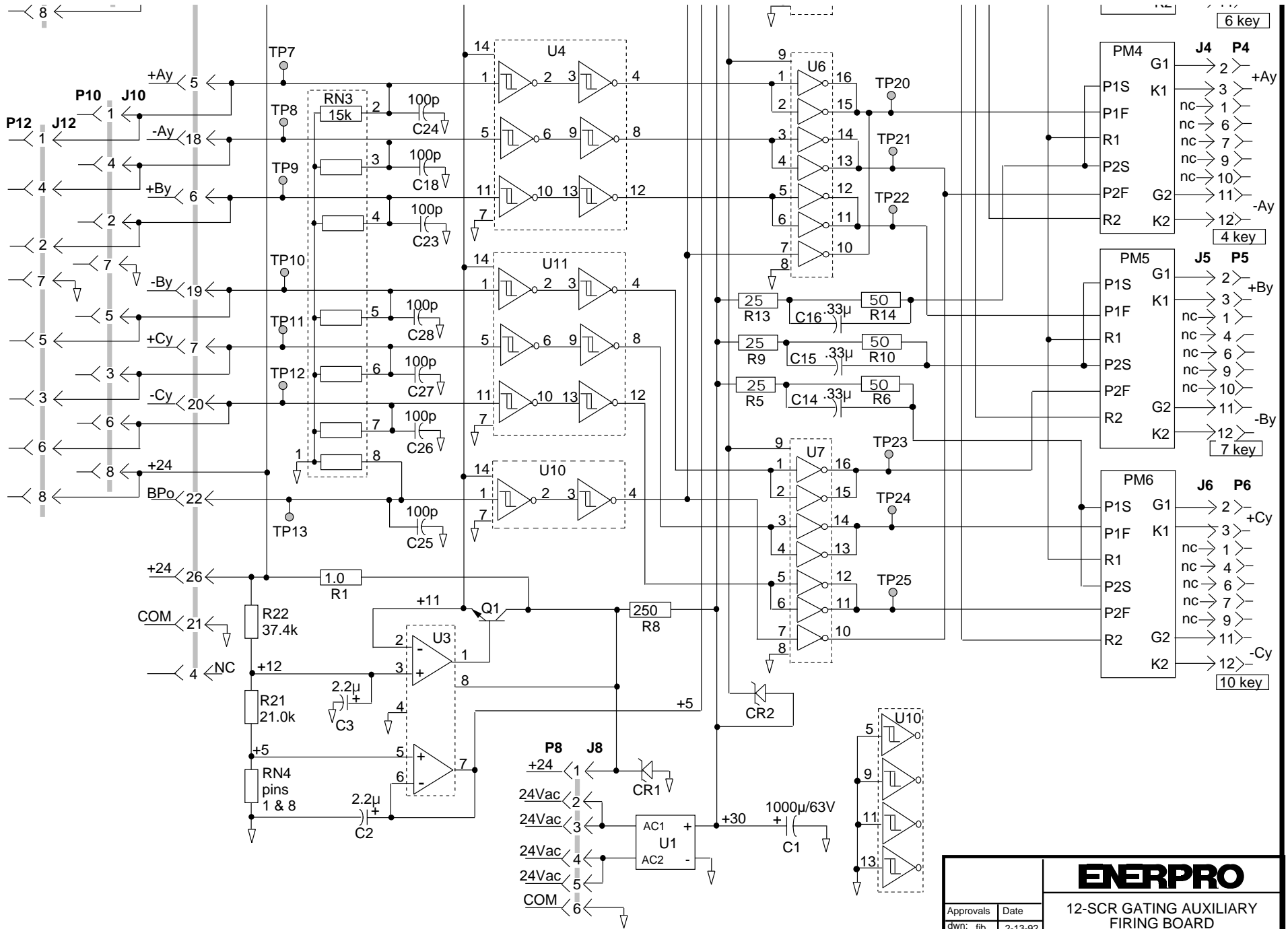
PART	DESCRIPTION	PART	DESCRIPTION
U1	W02M	C2-C3	ECSF1CE225K
U2,4,8,10,11	MC14584BCP	C11-C16	MKC4 .33μ, 63V 10%
	CD40106BE	C17-C29	FKC3 100p 10%
U3	MC34072P	Q1	2N2222
U5,6,7,9	SN75469N	CR1	1N5359A (24V)
RN1-RN2	750-83-R15k	CR2	1N1N4744B(15V)
RN3-RN4	750-81-R15k	PM1-PM6	EP1026
R1	CW2C 1.0 ohm 5%	J1-J6	350713-1
R2,4,5,9,12,13	CW2C 25 ohm 5%	P1-P6	350735-1
R3,6,7,10,11,14	CW5 50 ohm 5%		1-640415-0 (key plug)
R8	CW2C 250 ohm 5%	P1-P6 socket	350689-3 (24-18 AWG)
R21	21.0k, RN60 1%	J7	102162-6 (header)
R22	37.4k, RN60 1%		102186-1(latch)
C1	ECEA1JU102(63V)	P7	646288-6 (receptacle)
C1 alt.	ECEA2AU102(100V)		499252-3 (strain relief)

PART	DESCRIPTION
J8	640583-1 (R/A)
J8 alt.	641831-1 (Vert.)
P8	640581-1
J9-J12	640456-8
P9-P12	640440-8
	640550-8 (cap)

REVISIONS			
LTR	DESCRIPTION	DATE	APPD
B	Designate as specific for converter applications	8-4-97	fjb
C	Designate as specific for controller applications. Install CR2 and EP1026 pulse modules with step-down pulse transformers	8-4-97	fjb

E596C FCOA1200





		ENERPRO	
		12-SCR GATING AUXILIARY FIRING BOARD	
Approvals	Date	PWB PN	Dwg. No.
dwn: fjb	2-13-92	FCOA1200	E596C
Ch'k'd web	4-9-92		
chkd: yas	1-26-93		