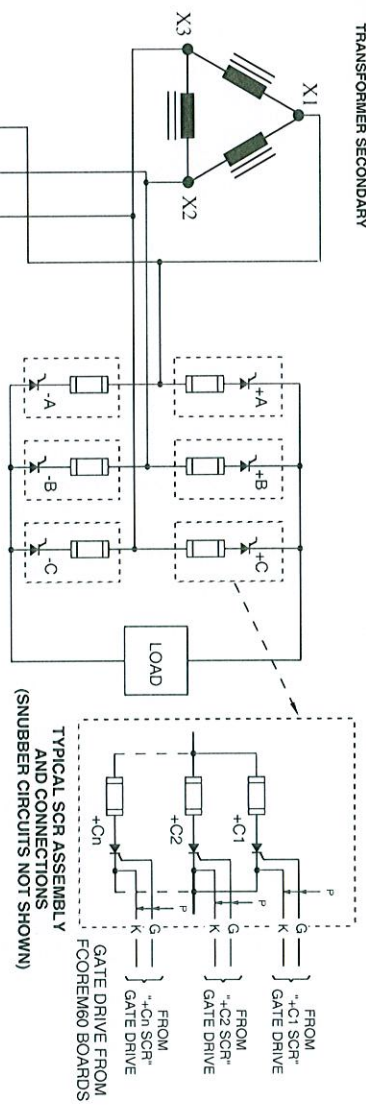


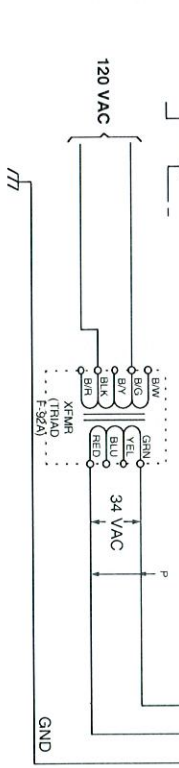
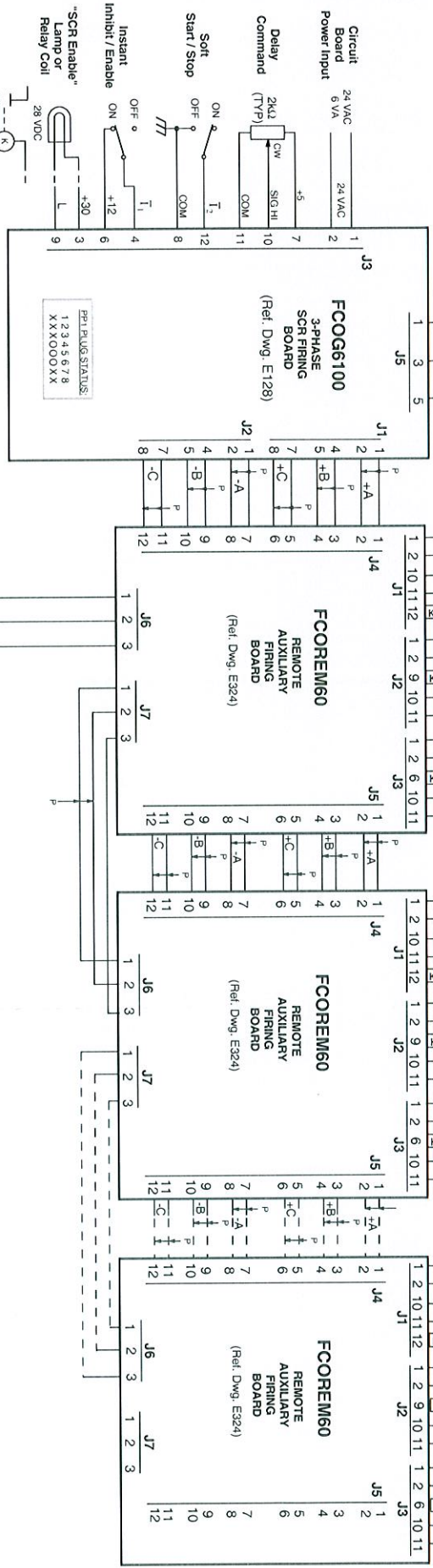
TRANSFORMER SECONDARY



TO +A1.....-C1 SCR GATES/CATHODES

TO +A2.....-C2 SCR GATES/CATHODES

TO +An.....-Cn SCR GATES/CATHODES



MODIFIED FOR REVISION C FCOREM60 BOARDS

		CONNECTION DIAGRAM: HIGH CURRENT THREE PHASE BRIDGE CONVERTER, HIGH GATE DRIVE	
		CUSTOMER: ANY	Dwg. No. E628-1
Version	9-8-03	Sheet 1 of 1	