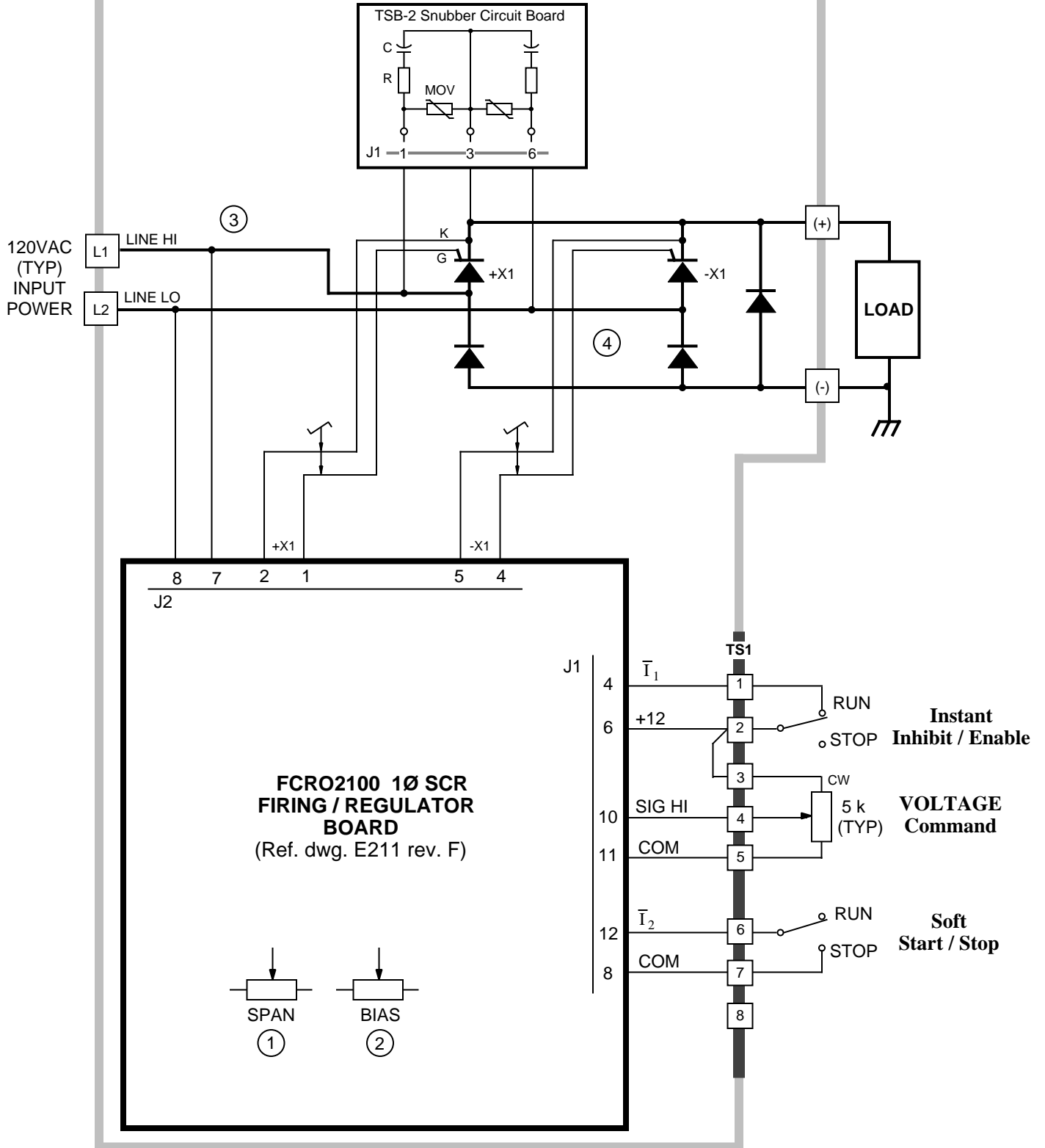


ENERPRO SUPPLIED COMPONENTS



NOTES

1. Adjust SPAN pot. R5 for 99% SCR output voltage with VOLTAGE COMMAND set at 100%.
2. Adjust BIAS pot. R4 for 1% SCR output voltage with VOLTAGE COMMAND set at 0%.
3. Voltage at pin 7 of J2 must be in-phase with AC voltage at anode of +X1 SCR.
4. An alternate SCR configurations has common anodes.

ENERPRO

CONNECTION DIAGRAM: 1Ø BRIDGE SEMI-CONVERTER WITH OPEN LOOP CONTROL

drawn: PPD 9/30/98
Version: 9/30/98

Drw. No.

E1107