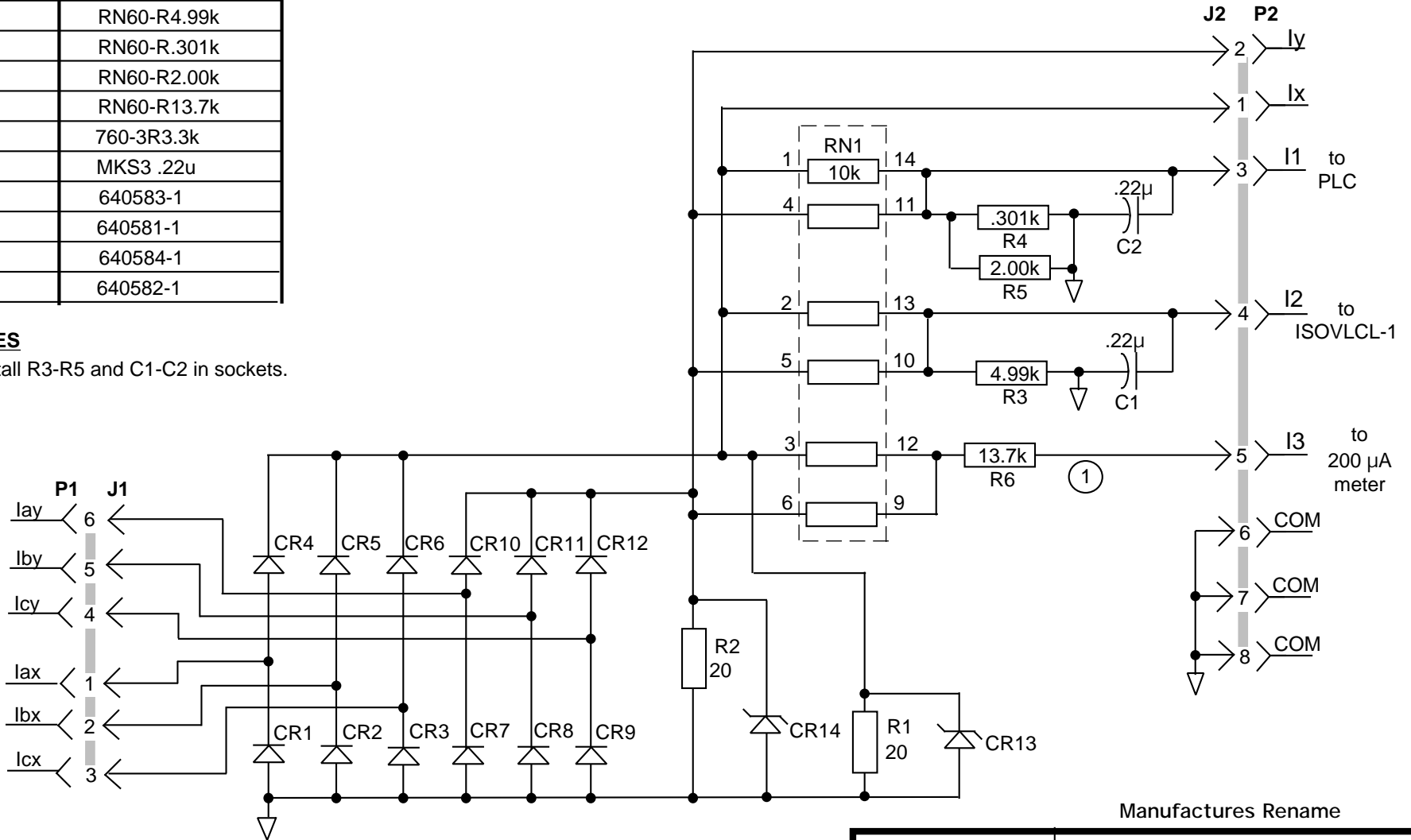


PART	DESCRIPTION
CR1-CR12	1N4004
CR13-CR14	1N4741 (11V)
R1-R2	CW2C 3W 20ohm
R3	RN60-R4.99k
R4	RN60-R.301k
R5	RN60-R2.00k
R6	RN60-R13.7k
RN1	760-3R3.3k
C1-C2	MKS3 .22u
J1	640583-1
P1	640581-1
J2	640584-1
P2	640582-1

REVISIONS			
LTR	DESCRIPTION	DATE	APPD
A	Add RN1, R4, R5 and C2 for two addl. signal outputs	9-2-98	fjb

NOTES

1. Install R3-R5 and C1-C2 in sockets.



Manufactures Rename

		ENERPRO	
		12-PULSE CT RECTIFIER	
Approvals	Date	Part. No. CR600	Dwg. No. E1098
dwn: fjb	7-29-98		
Version	12-17-99		