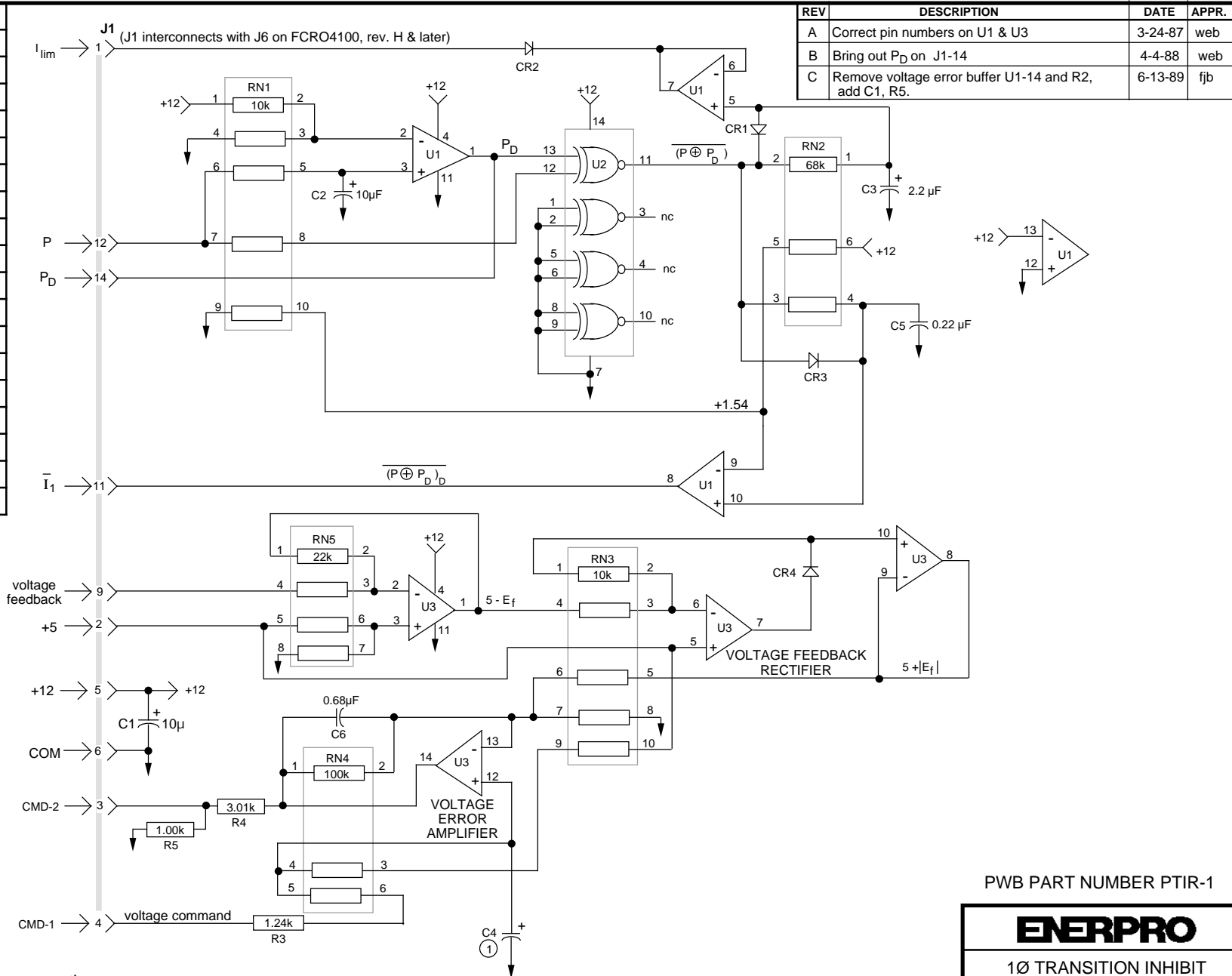


PART	DESCRIPTION
U1, U3	MC34074P
U2	MC14077BCP
CR1-CR4	1N4004
R3	RN60-R1.24k
R4	RN60-R3.01k
R5	RN60-R1.00k
RN1	750-103-R10k
RN2	750-63-R68k
RN3	750-103-R10k
RN4	750-63-R100k
RN5	750-83-R22k
C1	ECSF16E10
C2	ECSF16E10
C3	ECSF16E2R2
C4	ECSF16EXXX ①
C5	MKS3 .22μF
C6	MKS3 .68μF
J1	1-103176-1



REV	DESCRIPTION	DATE	APPR.
A	Correct pin numbers on U1 & U3	3-24-87	web
B	Bring out P_D on J1-14	4-4-88	web
C	Remove voltage error buffer U1-14 and R2, add C1, R5.	6-13-89	fjb

NOTES

1. Select C4 for desired response time.
2. For use without Polarity Transition Inhibit:
Omit U1, U2, CR1, CR2, CR3, RN1, RN2, C2, C3, C5.

Version : 4-12-91

PWB PART NUMBER PTIR-1

ENERPRO

1Ø TRANSITION INHIBIT
AND VOLTAGE REGULATOR

Dwn:	4-14-86	fjb	Dwg. No.
Redwg:	4-20-86	tgm	
Chkd:	4-12-91	web	

E216