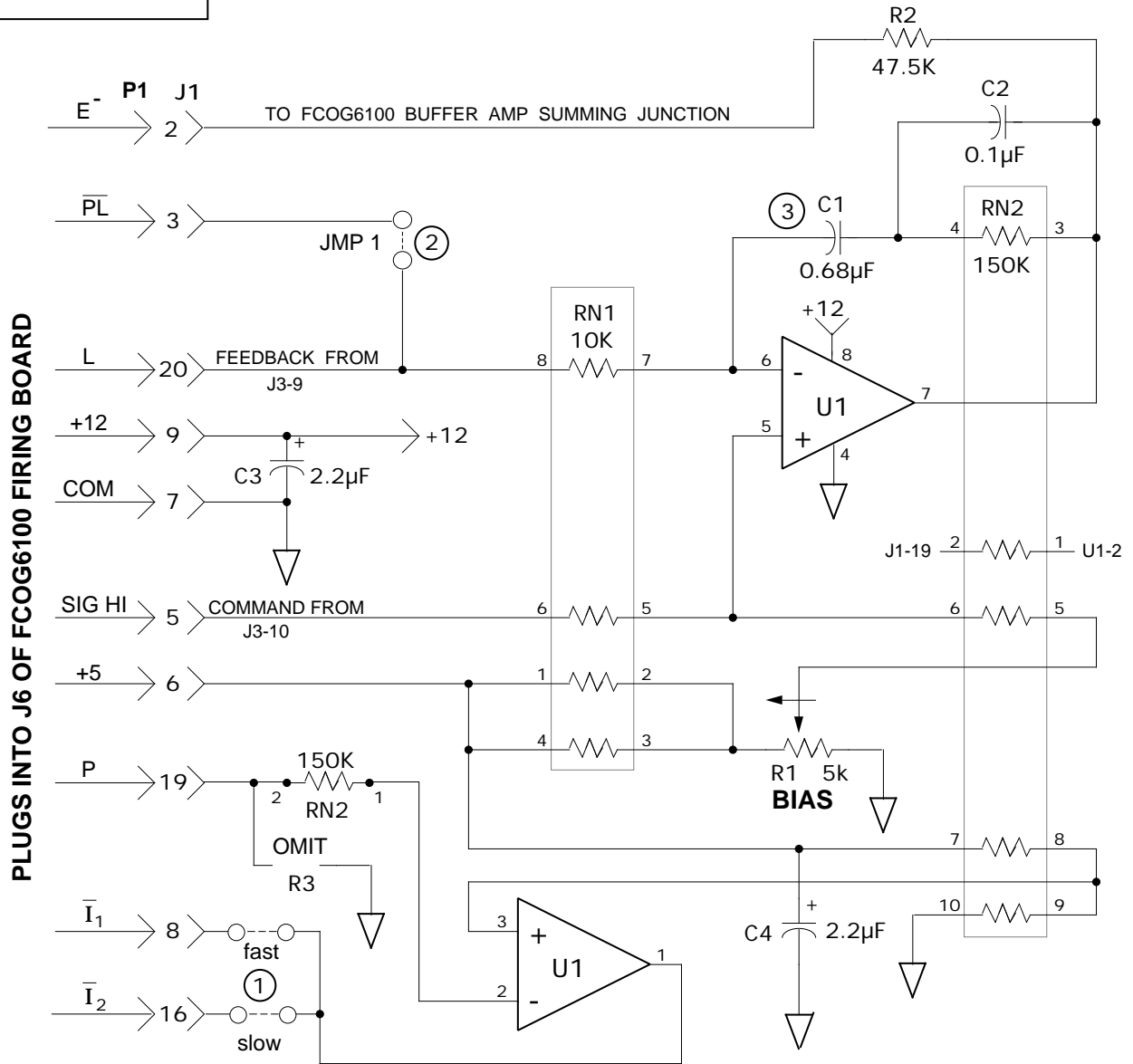


| PART  | DESCRIPTION     |
|-------|-----------------|
| U1    | LM258           |
| RN1   | 750-83-R10K     |
| RN2   | 750-103-R150K   |
| J1    | 103183-8        |
| C1    | MKS3 .68/100/10 |
| C2    | MKS3 .1/100/10  |
| C3-C4 | ECS-F1CE225K    |
| R1    | 93P-R5K         |
| R2    | RN60 47.5K      |
| R3    | OMIT            |

| REVISIONS |  |          |          |
|-----------|--|----------|----------|
| LTR       | DESCRIPTION                              | DATE     | APPROVED |
| A         | ADD C4, R3; MAKE RN2 10 PIN SIP; ADD JMP | 12-18-87 | web      |
| A-3       | Mod. for no inhibit inversion            | 5-16-88  | web      |



## NOTES

1. OMIT jumpers: "fast" & "slow."
2. OMIT jumper: JMP 1.
3. Option: jumper C1 for proportional gain amplifier.
4. FCOG6100 firing board modifications:
  - a. remove R2 and R49.
  - b. change R42 to 2.67k, R51 to 28.0k, C26 to .068µ, C27 to .0022µ (optional changes for faster response).

|            |         | <b>ENERPRO</b>                                      |             |
|------------|---------|---|-------------|
| Approvals  | Date    | FEEDBACK AMPLIFIER,<br>INHIBIT INVERTER, J6 PLUG-IN |             |
| drawn: web | 9-27-86 |   |             |
| redrw: web | 1-4-88  |   |             |
|            |         | PART NUMBER<br>EA6-1                                | <b>E236</b> |