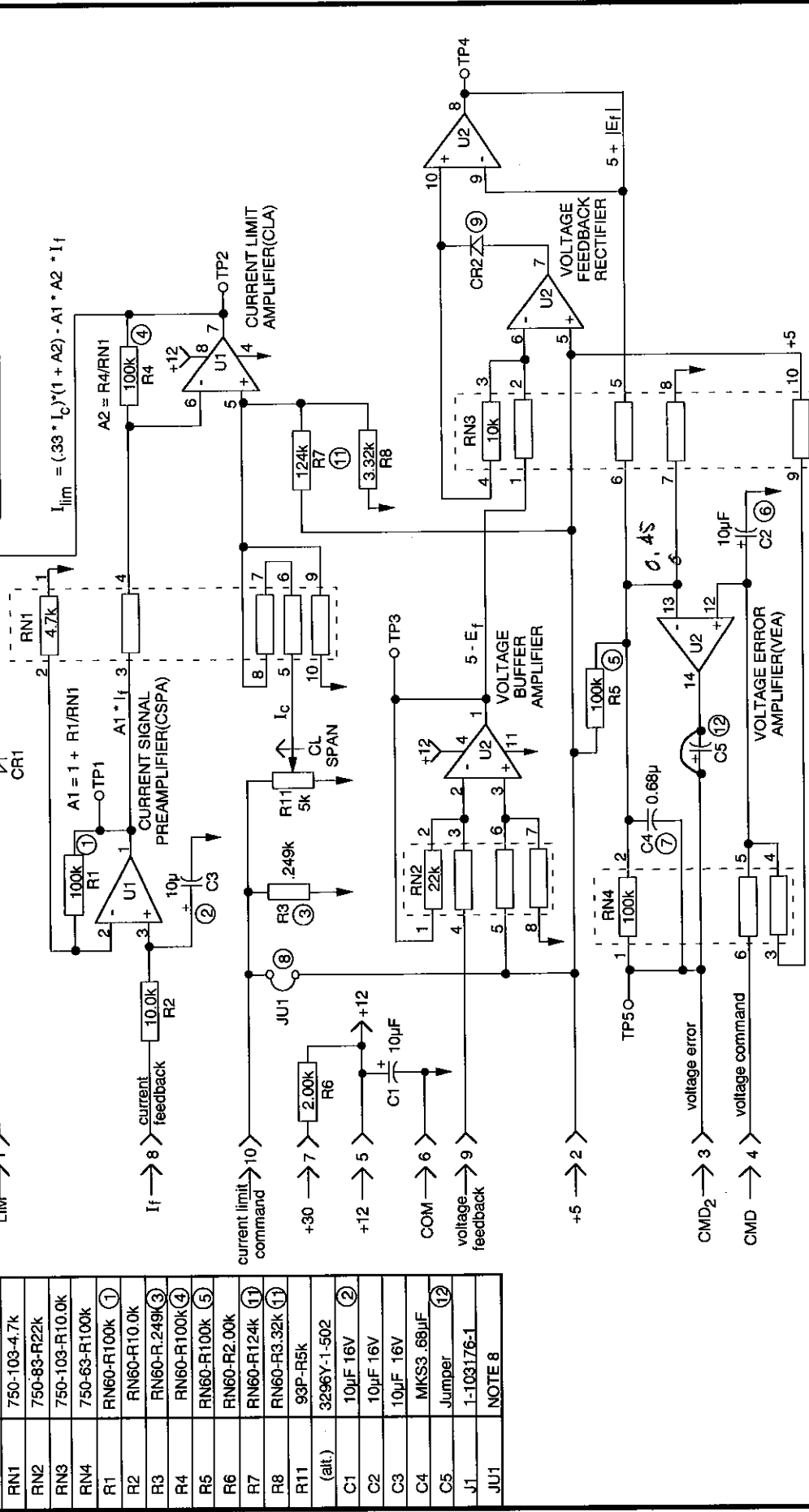


PART	DESCRIPTION	REV	DESCRIPTION	DATE	APPR.
U1	MC34072P	B	Modify current limit and voltage feedback circuits, add test points.	8-11-89	fib
U2	MC34074P	B	Change R2, C3, notes.	1-8-90	fib
CR1-CR2	1N914B	C	Added R7, R8, & C5. Changed R11 footprint.	12-12-97	ppd
RN1	750-103-4.7k				
RN2	750-83-R22k				
RN3	750-103-R10.0k				
RN4	750-63-R100k				
R1	RN60-R100k (1)				
R2	RN60-R10.0k				
R3	RN60-R.249k (3)				
R4	RN60-R100k (4)				
R5	RN60-R100k (5)				
R6	RN60-R2.00k				
R7	RN60-R124k (11)				
R8	RN60-R3.32k (1)				
R11	93P-R5k				
(alt.)	3296Y-1-502				
C1	10µF 16V (2)				
C2	10µF 16V				
C3	10µF 16V				
C4	MKS3.68µF				
C5	Jumper				
J1	1-103176-1				
JU1	NOTE 8				



REV	DESCRIPTION	DATE	APPR.
B	Modify current limit and voltage feedback circuits, add test points.	8-11-89	fib
B	Change R2, C3, notes.	1-8-90	fib
C	Added R7, R8, & C5. Changed R11 footprint.	12-12-97	ppd

<b>ENERPRO</b>	
Approvals	Date
dw: fib	11-2-95
Version	Dwg No.
VRCL1P-1	<b>E417</b>
Sheet 1 of 1	

10. On FCRO4100 board:  
 • RN2 = 22k  
 • omit C9  
 • cut trace from U5 to RN4 where indicated.

11. Install R7 and omit R8 when controlling with a 0/5Vdc current command. Install R8 and omit R7 when controlling with a 4/20mA current command.  
 12. Jumper C5.

- NOTES**
- R1 selected for full scale CSPA output of 1.0 Vdc.
  - C3 selected for desired current signal bandwidth.
  - R3 installed for use with 4-20mA current limit command.
  - R4 selected for desired CLA gain.
  - R5 selected for desired voltage command offset.
  - C2 selected for desired voltage regulator response time.
  - C4 selected for desired VEA bandwidth.
  - JU1 installed for on-board current limit command.
  - Replace CR2 with jumper for converter voltage regulation.