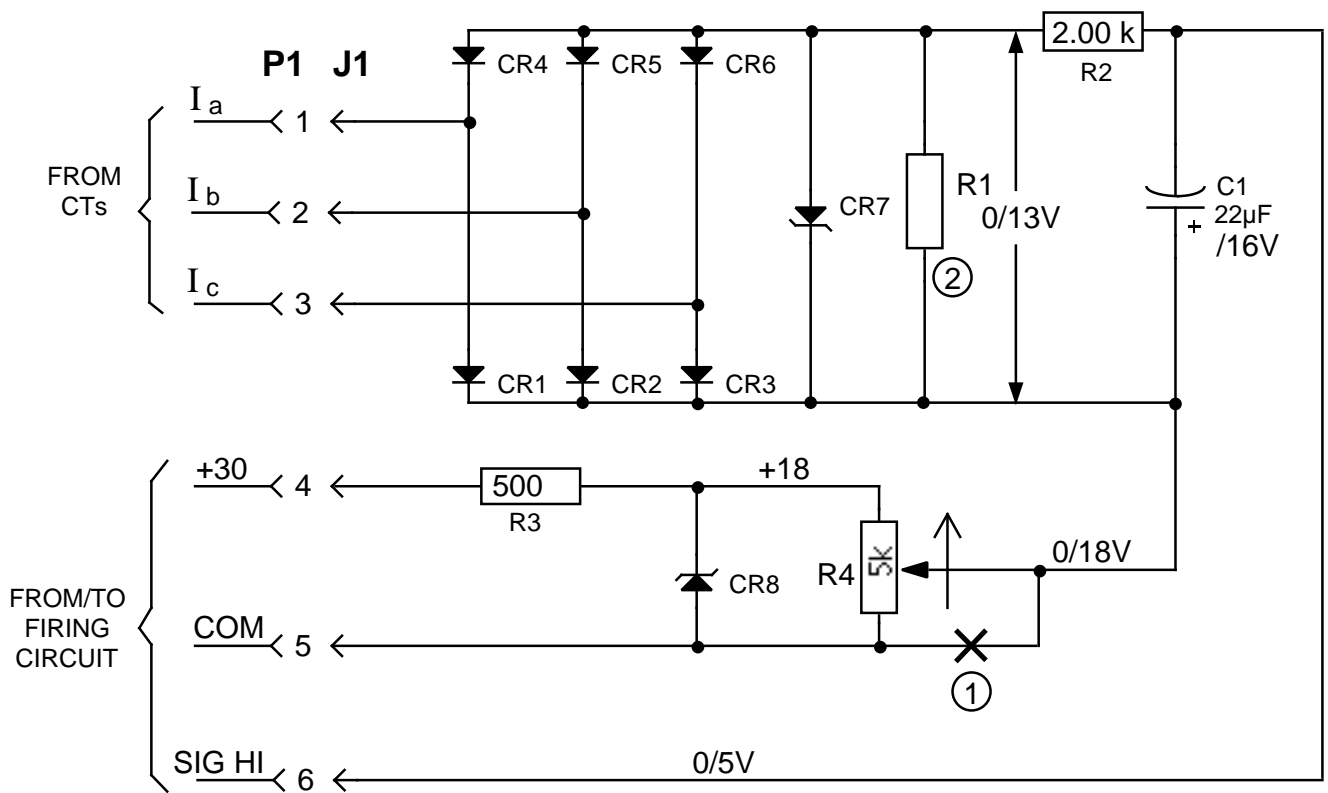


PART	DESCRIPTION
CR1-CR6	1N5402
CR7-CR8	1N4746A(18V) (1)
R1	CW5 (2)
R2	RN60 2.00K
R3	CW2C 500 (1)
R4	93P-R5k (1)
C1	ECSF16E22
J1	640583-1 (R/A)
J1 (alt)	641831-1 (Vert)
P1	640581-1

REVISIONS			
LTR	DESCRIPTION	DATE	APPROVED
NC	FIRST PRODUCTION	7-3-91	web



## NOTES

- For on-board current command:  
Cut trace where indicated,  
install R3, R4, CR8. Adjust pot.  
R4 for desired current level.
- Select R1 to give 13V across R1  
at full load current.
- Do not exceed 5A-rms  
continuous input.

		<b>ENERPRO</b>	
Approvals	date	CURRENT REGULATOR, CT FEEDBACK	
dwn: fjb	7-21-89	PART NO.	Dwg No.
chkd: web	4-29-91	CR400	<b>E432</b>