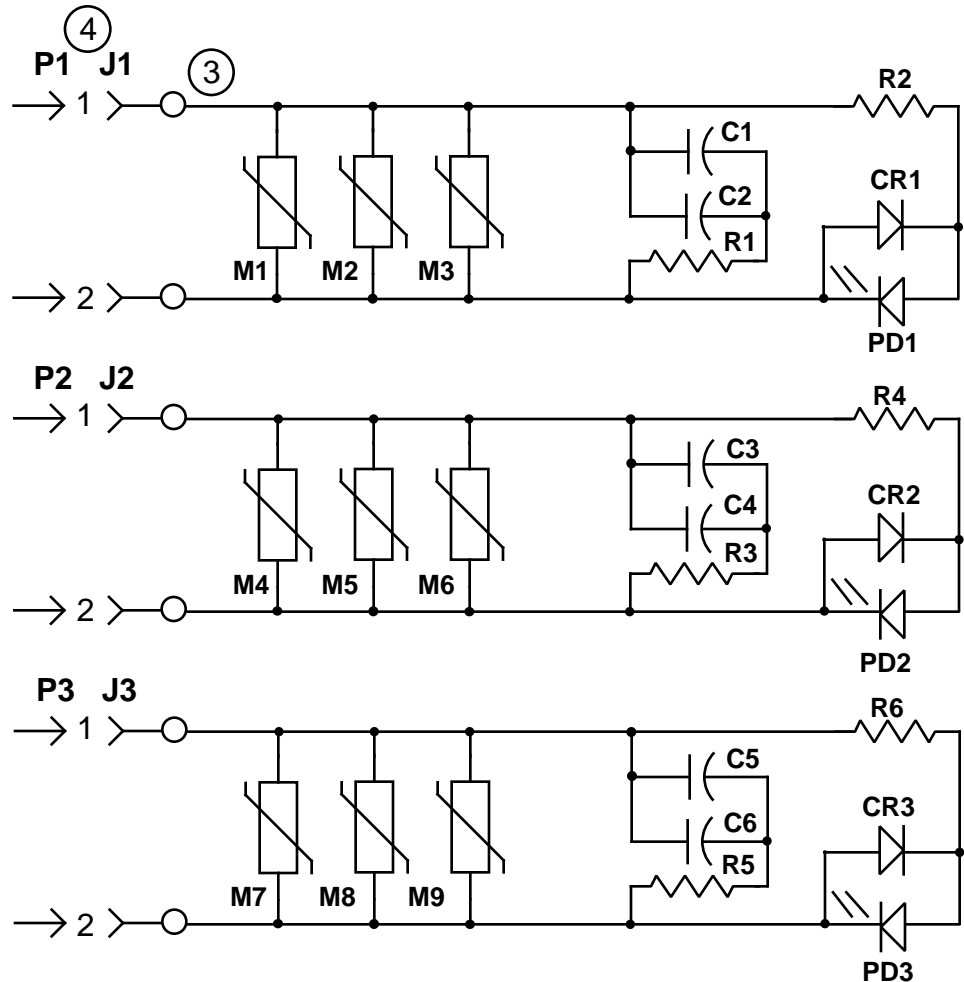


PART	DESCRIPTION	PART	DESCRIPTION
R1,3 & 5	① Factory select	J1-J3	AUGAT PP6PCV-03
C1-C6	① Factory select 3 or 6	R2, 4 & 6	200K 1/2w RN65
M1-M9	② Factory select	CR1-CR3	1N4004 DIODE
P1-P3	1-350779-1	PD1 - PD3	LN21RPH (RED) L.E.D.
J1-J3	1-350944-0 (R/A)		
J1-J3	1-350792-1 (Vert.)		



NOTES

1. Select appropriate R and C values and R wattage for power circuit:

Voltage _____

Current _____

Power _____

R = _____ , _____ W

C = _____ μ F, _____ V

C _____ thru C _____

2. Select appropriate MOV for desired breakdown voltage.
3. Fusible traces prevent explosion of MOVs.
4. Select vertical or right angle AMP Mate-N-Lok headers or AUGAT PP6PCV-03 screw terminal headers (ASC Apps.)

		ENERPRO	
dwn jpm	5-6-93	THREE R-C-MOV CIRCUIT TRANSIENT SUPPRESSION BOARD	
REV B		PWA PN TSB-3	Drawing No. E703

