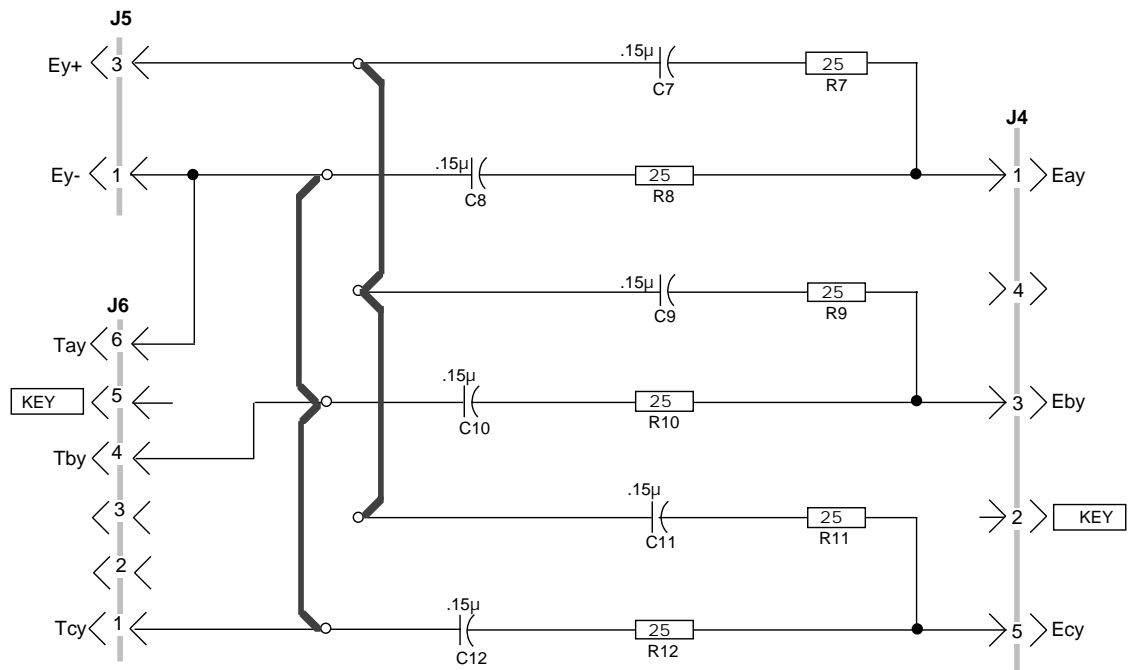
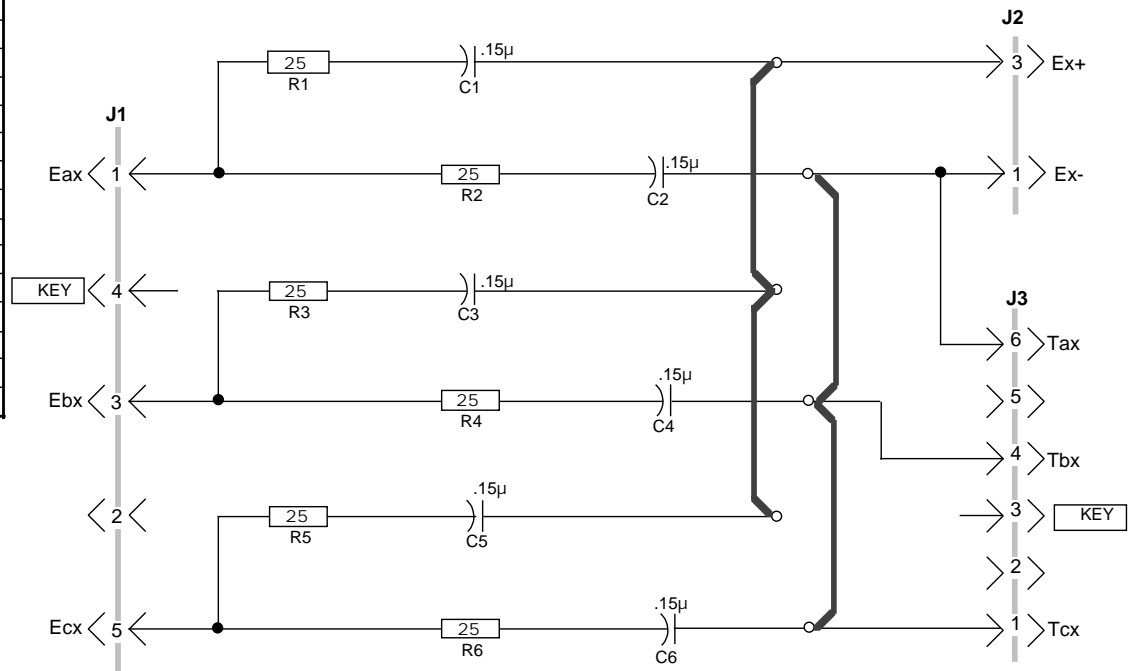


PART	DESCRIPTION
R1 - R12	25 20W R1W20W025
C1 - C12	MKP10 .15μF 1600V C1PL1600154
J1 & J5	640900-1 C2MNLVPH05
P1 & P5	350809-1 C2MNLPLG05
J2 & J4	350789-1 C2MNLVPH03
P2 & P4	350766-1 C2MNLPLG03
J3 & J6	641831-1 C2MNLVPH06
P3 & P6	640581-1 C2MNLPLG06
key plug	1-640415-0 C2KP94VO

REVISIONS			
LTR	DESCRIPTION	DATE	APPD
NC		5-17-96	ppd



**NOTES:**

- For DC Circuits:
- Install: Jumpers, J2, and J5.
  - Omit: J3 and J6.

- For AC Circuits:
- Install J3 and J6.
  - Omit: All Odd Resistors and Capacitors, Jumpers, J2, and J5.

**REVISED 5/4/00 (jpm)**  
 • Corrected Pin #'s (swapped 1 & 3) at J2 & J5 as manufactured.

Approvals		Date		<b>ENERPRO</b>	
dwn: ppd		5-17-96			
version	8-15-96	PWB PN	Dwg. No.	<b>E942</b>	
version	5-4-00	TSB12-1			
Sheet 1 of 1					