

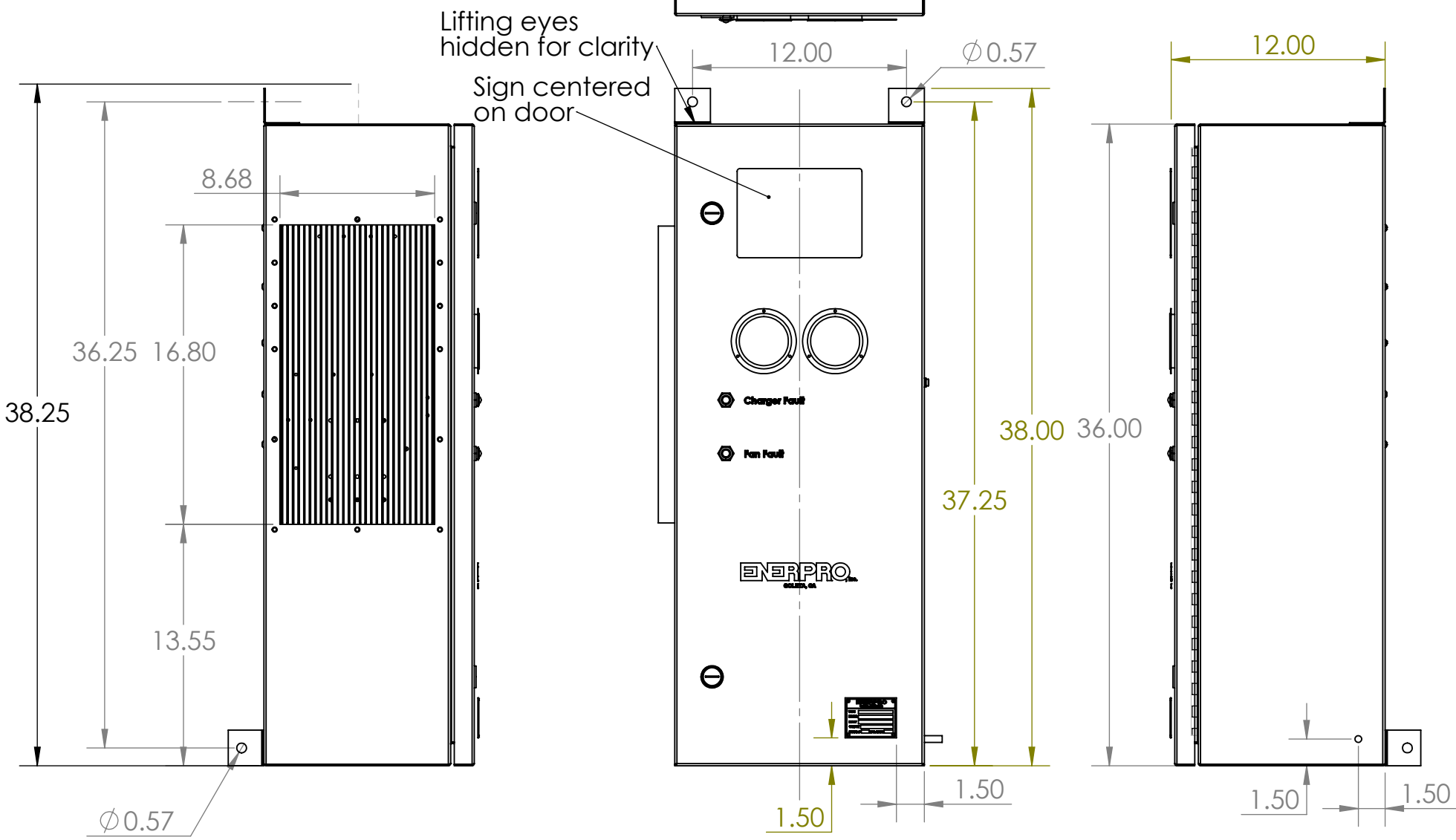
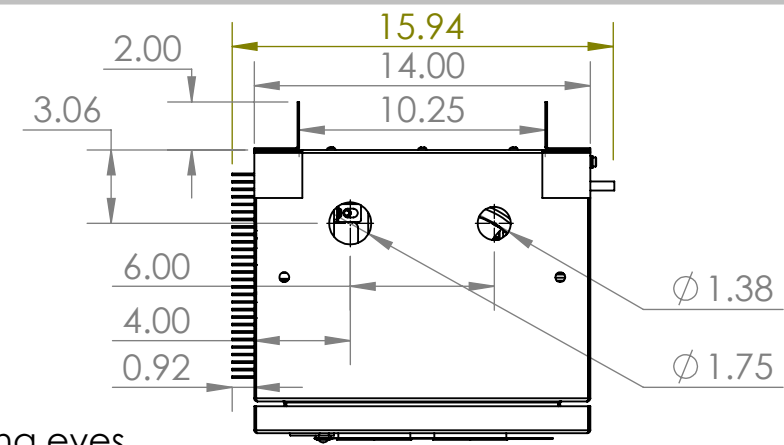
4

3

2

1

| Revisions | | | |
|-----------|----------|------------------------------------------------------------|----------|
| LTR | Initials | Description | Date |
| A | KSM | Updated Components and Production Release per ECO 19-11067 | 05/22/19 |



| | | | | |
|--------------------------------------------------------------------------|--|--|----------------------------------------------------------------------------|--|
| MATERIAL: Material <not specified> FINISH: N/A TOLERANCE: +/- .050 | | | DO NOT SCALE DRAWING | |
| | | | Title: Cabinet Assembly | |
| | | | Description: Layover Charger complete assembly overall dimensions | |
| | | | REVISION: A | |
| DWG NO. M2655 | | | REVISION: A | |
| WEIGHT: | | | SCALE: 1:8 | |
| | | | SHEET 1 OF 1 | |

UNLESS OTHERWISE SPECIFIED:
DIMENSIONS ARE IN INCHES
DEBURR AND BREAK SHARP EDGES

4

3

2

1

B

B

A

A