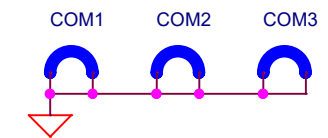
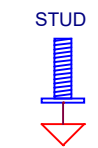
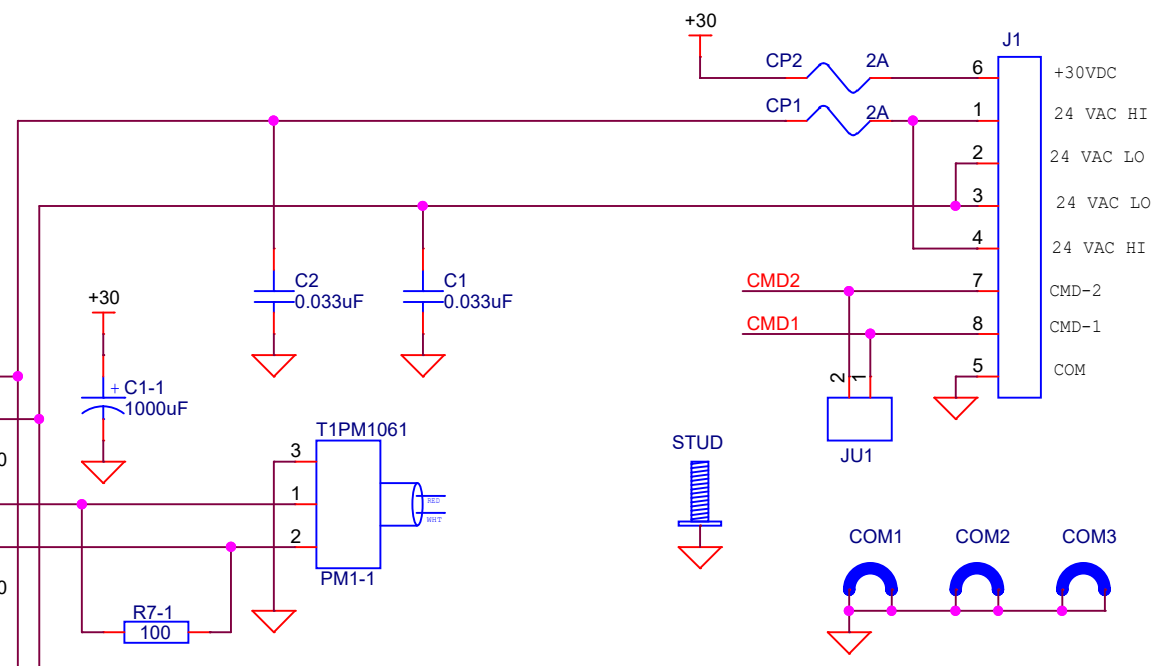
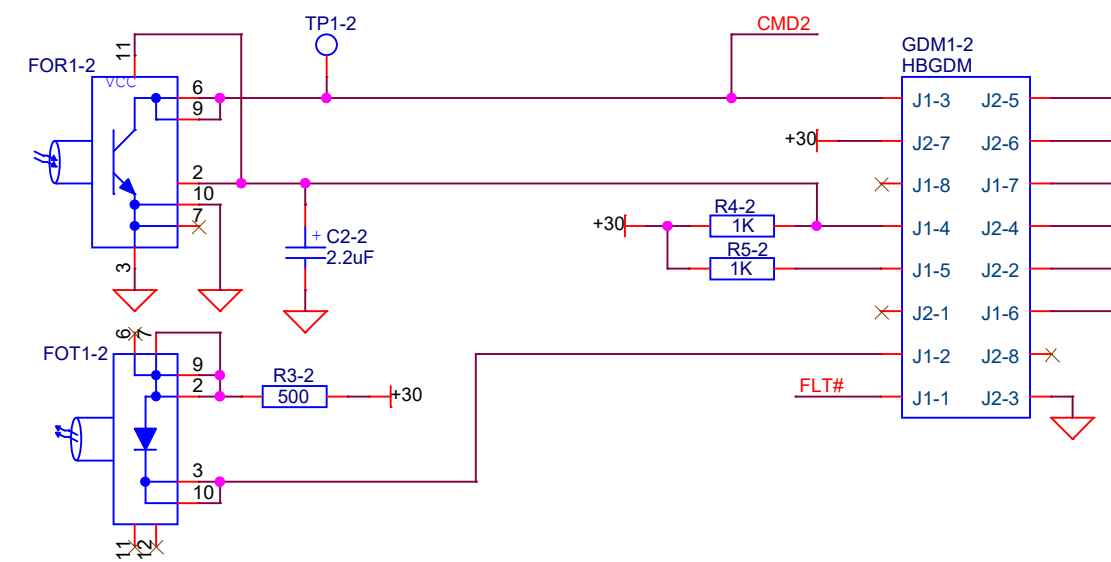
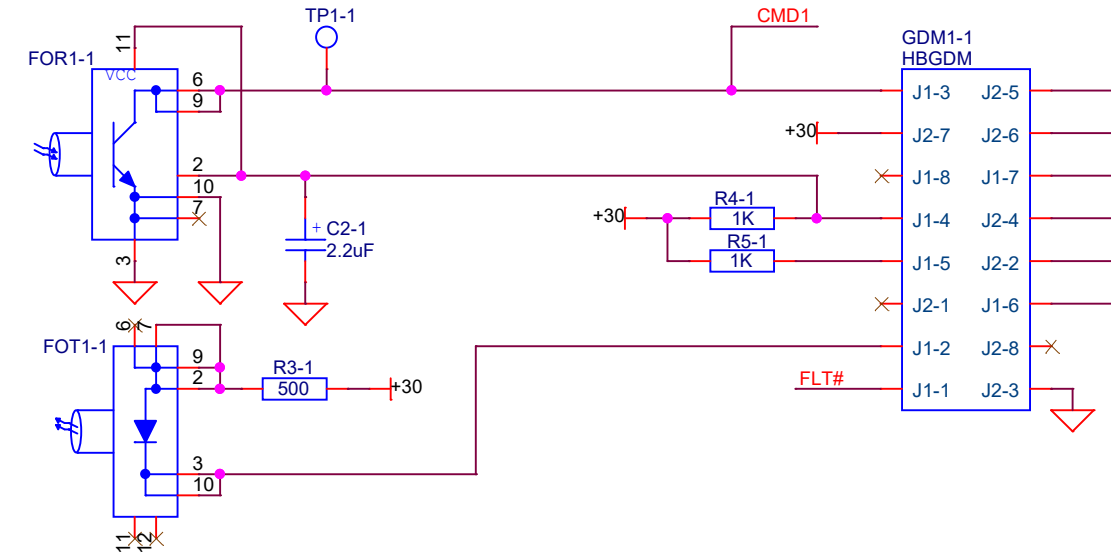
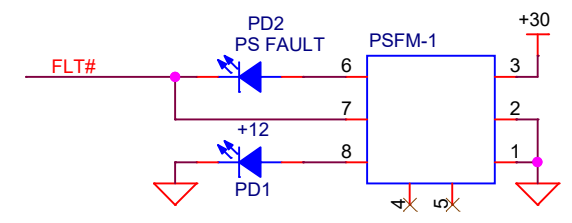


PCB ARTWORK REVISIONS		
REV.	DESCRIPTION	DATE



ENERPRO GOLETA, CA		
Title: 2-Input, 2-Output Medium Voltage Trigger Board		
Size B	Document Number: MVTB2-2 - E1319	Rev F
Date: Monday, February 12, 2018	Sheet 1 of 1	