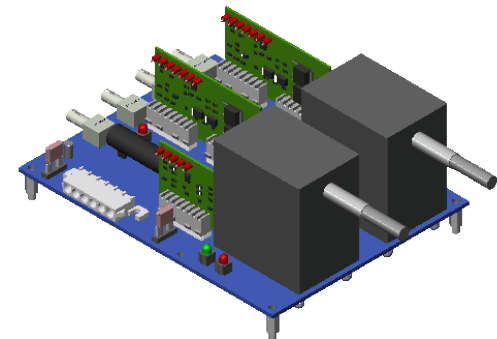
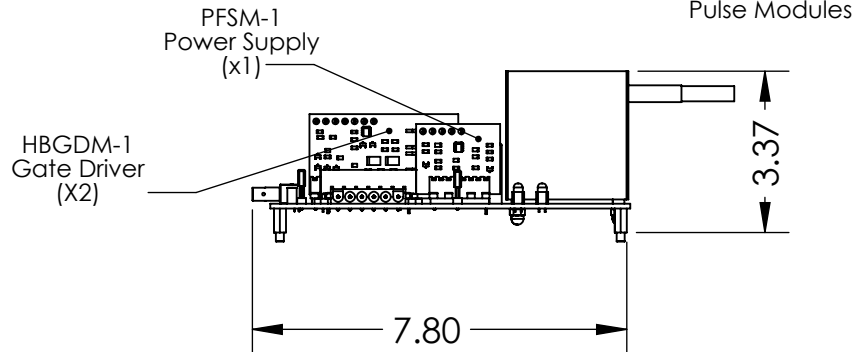
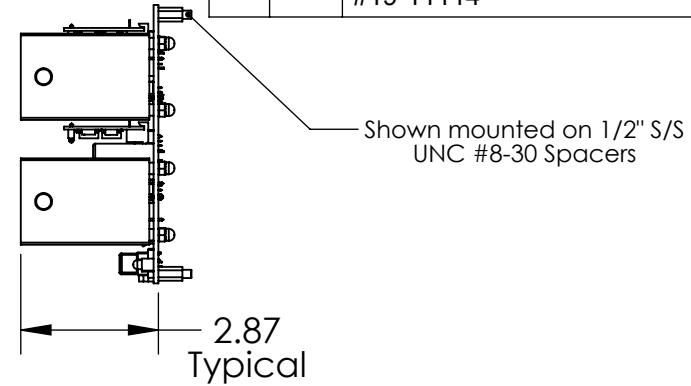
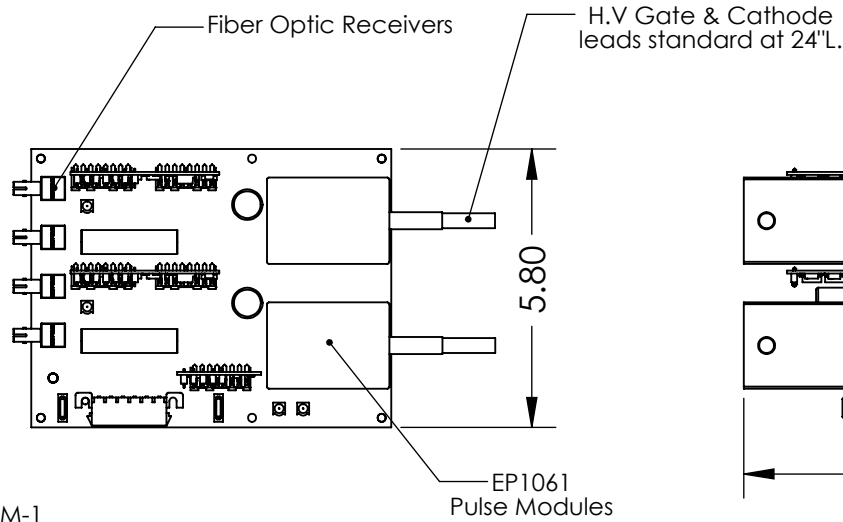


REVISIONS			
LTR	INT	DESCRIPTION	DATE
A	KJM	Production Release per ECO #17-10770	6/5/17
B	MAI	Added weight of board per ECO #19-11114	9/11/19



PROPRIETARY AND CONFIDENTIAL
 THE INFORMATION CONTAINED IN THIS DRAWING IS THE SOLE PROPERTY OF ENERPRO, INC., GOLETA, CA USA. ANY REPRODUCTION IN PART OR AS A WHOLE WITHOUT THE WRITTEN PERMISSION OF ENERPRO, INC. IS PROHIBITED.

		UNLESS OTHERWISE SPECIFIED:	NAME	DATE	
		DIMENSIONS ARE IN INCHES	DRAWN	jpm	4/24/07
		TOLERANCES:	CHECKED		
		FRACTIONAL ±	ENG APPR.		
		ANGULAR: MACH ± BEND ±	MFG APPR.		
		TWO PLACE DECIMAL ±	Q.A.		
		THREE PLACE DECIMAL ± .050"	COMMENTS:		
		INTERPRET GEOMETRIC TOLERANCING PER:			
		MATERIAL			
		FINISH			
NEXT ASSY	USED ON				
APPLICATION		DO NOT SCALE DRAWING			

ENERPRO, Inc.
 Goleta, CA USA

TITLE:		
MVTB2-2 Physical		
SIZE	DWG. NO.	REV
A	M2633	B
SCALE: 1:4	WEIGHT: 2.3lbs	SHEET 1 OF 1