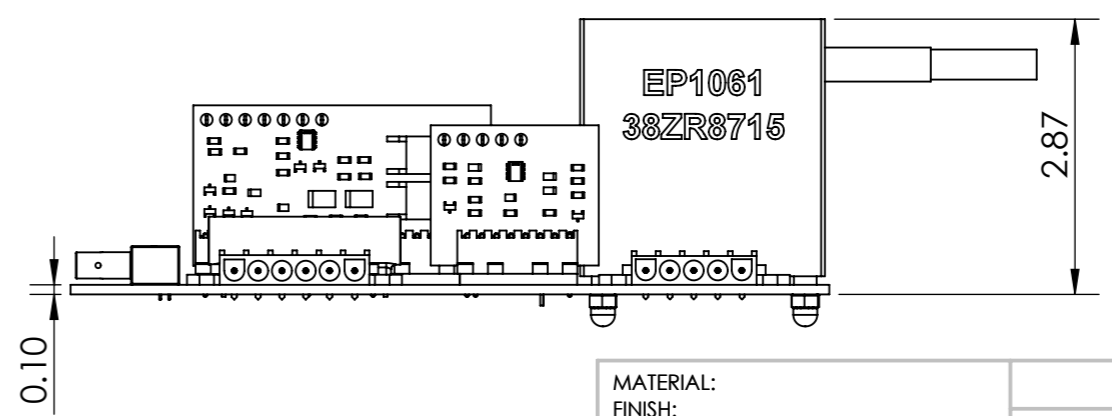
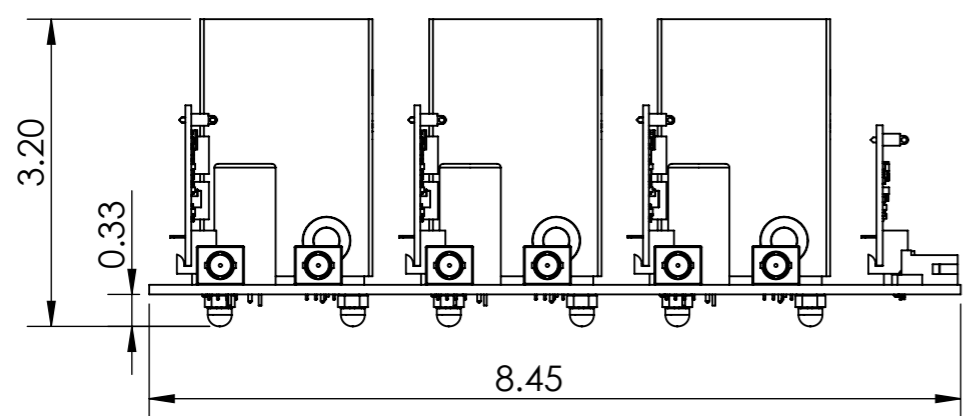
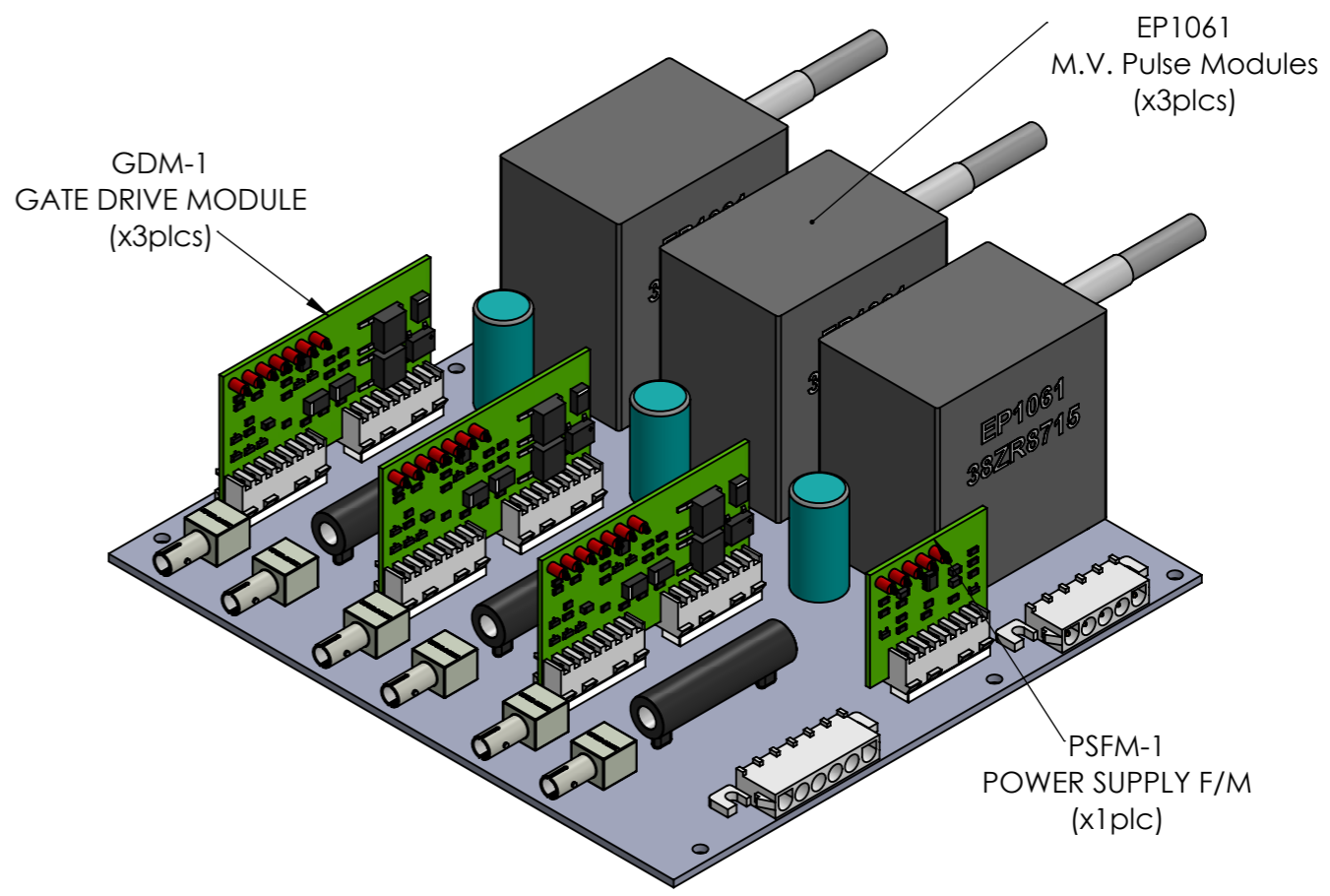
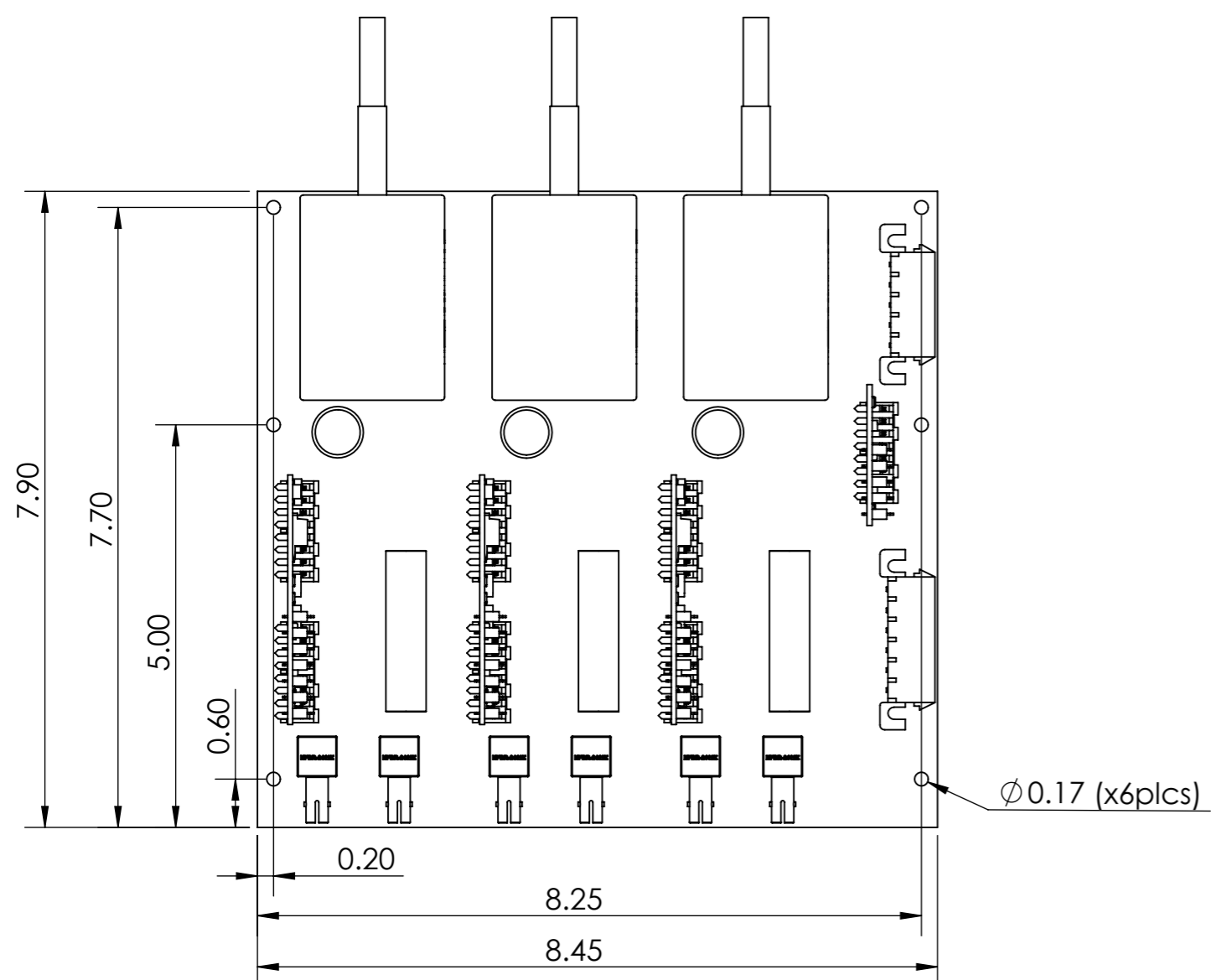


		Revisions		
LTR	INT	Description	Date	
A	KJM	Production Release per ECO #17-10770	6/5/17	



MATERIAL:			DO NOT SCALE DRAWING	
FINISH:			Title: MVTB3-3 PHYSICAL	
TOLERANCE:			Description:	
	INITIALS	DATE	NOTE	
DRAWN	KJM	9/27/16		
CHK'D				
UNLESS OTHERWISE SPECIFIED: DIMENSIONS ARE IN INCHES DEBURR AND BREAK SHARP EDGES			DWG NO. M2742	REVISION: A
WEIGHT:			SCALE:1:2	SHEET 1 OF 1

