

**OVER CURRENT
COMPARATOR**

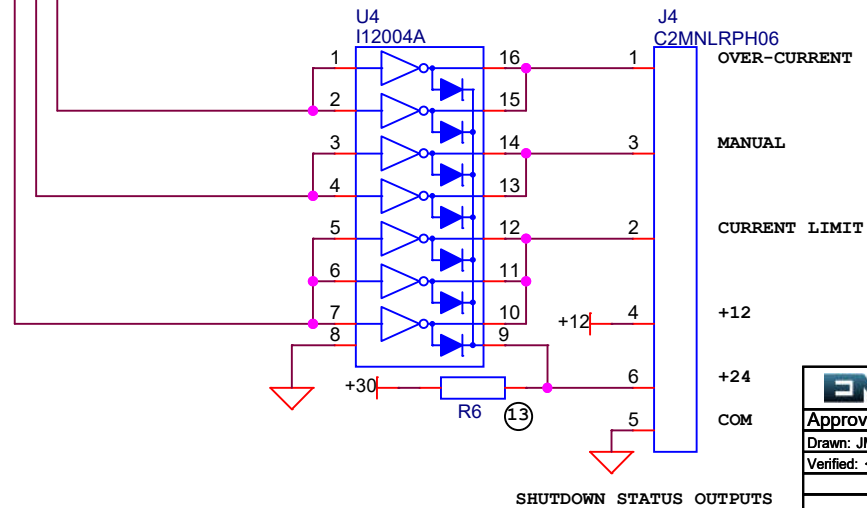
REGULATOR

NOTES:

1- PROGRAMMING PLUG STATUS:

| FUNCTION \ PLUG POSITION | 1 | 2 | 3 | 4 | 5 | 6 | 7 | 8 |
|--------------------------|------------------------|---|---|---|---|---|---|---|
| | (X = CLOSED, O = OPEN) | | | | | | | |
| SOFT-ON, INSTANT-OFF | X | O | - | - | - | - | - | - |
| SOFT-ON, SOFT-OFF | O | X | - | - | - | - | - | - |
| 120Vac START | - | - | X | O | - | - | - | - |
| PUSH BUTTON START | - | - | O | X | - | - | - | - |
| +12V C/V CMD INPUT | - | - | - | - | X | - | - | - |
| +11V DELAY CMD INPUT | - | - | - | - | - | X | - | - |
| CURRENT REGULATION | - | - | - | - | - | - | O | X |
| VOLTAGE REGULATION | - | - | - | - | - | - | X | O |

- 2- ADJUST BIAS POT R1 FOR 0% SCR OUTPUT WITH CURRENT COMMAND VOLTAGE AT MINIMUM
- 3- ADJUST SPAN POT R2 FOR 100% SCR OUTPUT WITH CURRENT COMMAND VOLTAGE AT MAXIMUM
- 4- ADJUST TRIP POT R3 FOR DESIRED OVER-CURRENT TRIP LEVEL.
- 5- ADJUST RAMP POT R4 FOR DESIRED RAMP START TIME
- 6- FOR AUTOMATIC OVER-CURRENT RESET: INSTALL C2, CR9, CR10.
- 7- FOR mA COMMAND SIGNALS: SELECT R11 OR R12 FOR 5.0VDC MAXIMUM LEVELS.
- 8- SELECT R5 FOR 1.00VDC FULL LOAD CURRENT FEEDBACK SIGNAL
- 9- FOR INCREASED STABILITY MARGIN: INSTALL C7, CHANGE R14 TO 53.6K, OMIT R41 AND R52 ON FCOG6100 SCR FIRING BOARD
- 10- INSTALL C4 TO REDUCE CURRENT / VOLTAGE COMMAND SIGNAL BANDWIDTH
- 11- SELECT C5 TO DETERMINE CLOSED LOOP REGULATOR BANDWIDTH.
- 12- SELECT R19 FOR DESIRED STOP TIME. MINIMUM R19 = 10K.
- 13- SELECT R6 FOR +24V OUTPUT INTERFACE DEVICE
- 14- SELECT R15 FOR 2.5V MAX AT TP9 WITH MAX. CC INPUT.
- 15- FOR HIGHER OVER-CURRENT TRIP THRESHOLD MAKE R20 = 7.5K.
- 16- INSTALL CR18 AND R22 FOR OPTIONAL COMMAND PULL-DOWN ON INHIBIT.
- 17- IF NO EXTERNAL DCI: CLOSE PP1.7, INSTALL R12 =



ENERPRO GOLETA, CA

| | | | | |
|-----------------|----------|------------------------------|--------------|-----|
| Approvals | Date | Title | | |
| Drawn: JM | 04-30-19 | CURRENT TRIP / REGULATOR | | |
| Verified: <ver> | mm-dd-yy | CT FEEDBACK SOFT-START BOARD | | |
| | | Drawing Number | E Number | Rev |
| | | CTRCT-2 | E371-1 | C |
| | | Date: Tuesday, May 28, 2019 | Sheet 1 of 1 | |